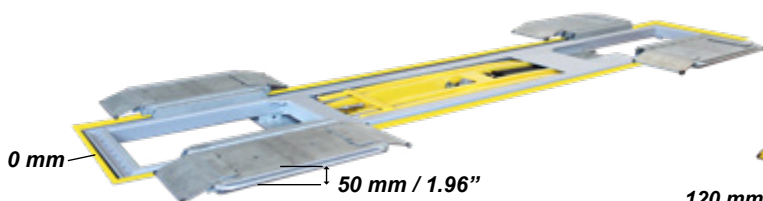


# MASTER 5000 floor-mounted or floor-recessed lift

New registered patent

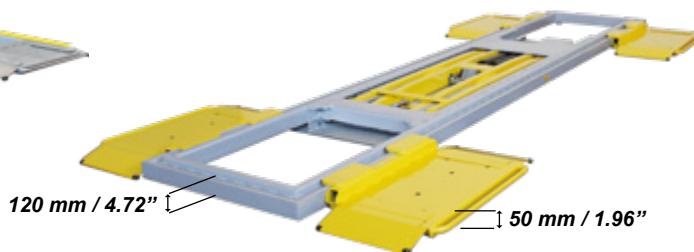
## MASTER 5000.IN FLOOR RECESSED

- 0 mm minimum height 0" (to the upper platform)
- 50 mm minimum height 1.96" (to the lifting support on which the wheels sits)
- 1330 mm lifting height 52.36" (to the upper platform)
- 1380 mm lifting height 54.33" (to the lifting support on which the wheels sits)



## MASTER 5000.ES FLOOR MOUNTED

- 120 mm minimum height 4.72" (to the upper platform)
- 50 mm minimum height 1.96" (to the lifting support on which the wheels sits)
- 1450 mm lifting height 57.08" (to the upper platform)
- 1380 mm lifting height 54.33" (to the lifting support on which the wheels sits)



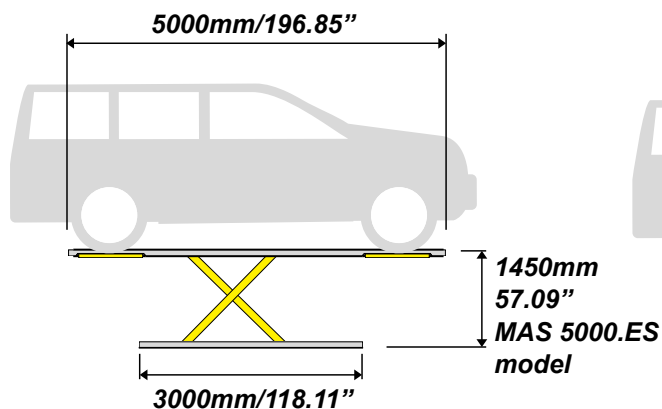
### Minimum pit dimensions:

Length: = 5060 mm / 199.21'  
Width: = 1130 mm / 44.48'  
Depth: = 130 mm / 5.11"



**5000 KG / 11.000 LB  
CAPACITY**

### BY THE WHEELS



### BY THE RUBBER PADS

